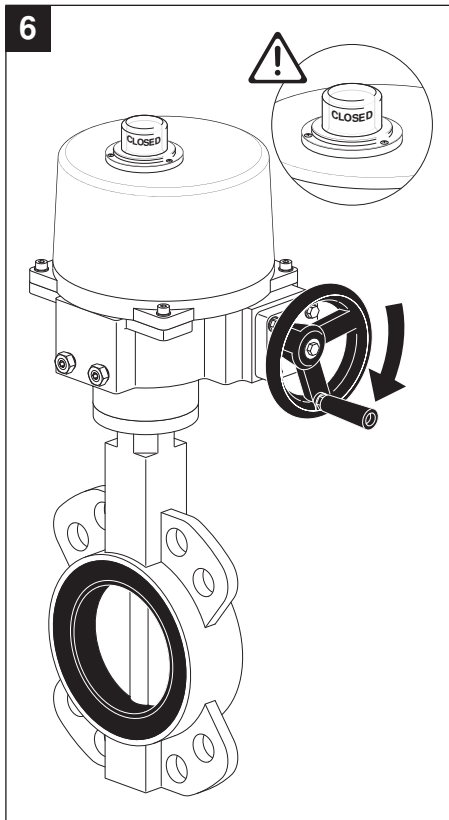
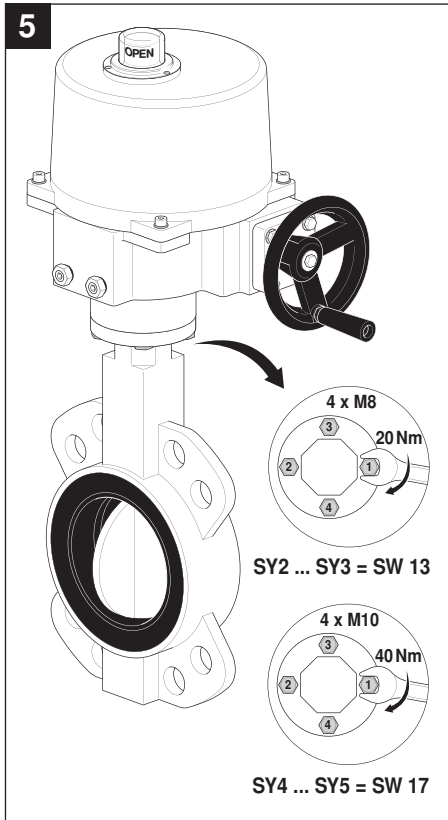
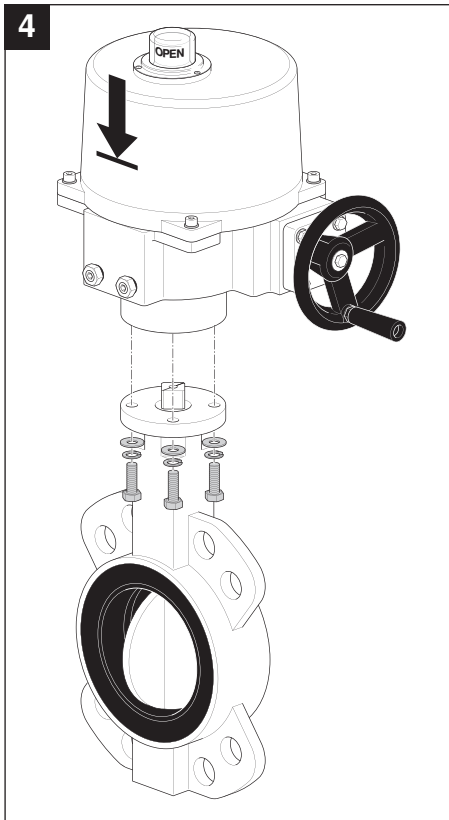
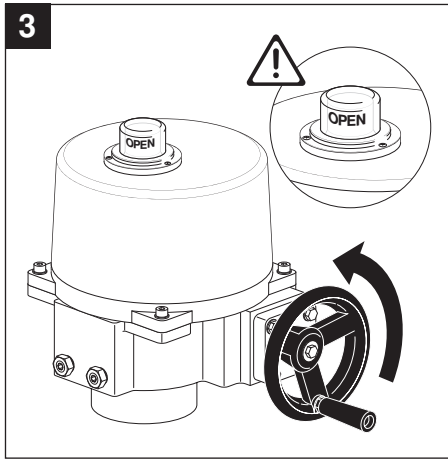
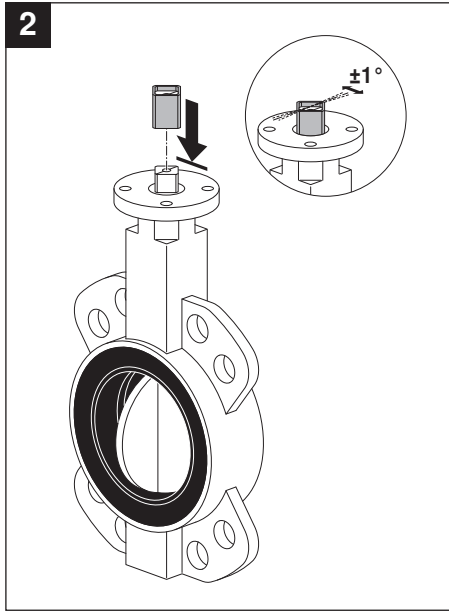
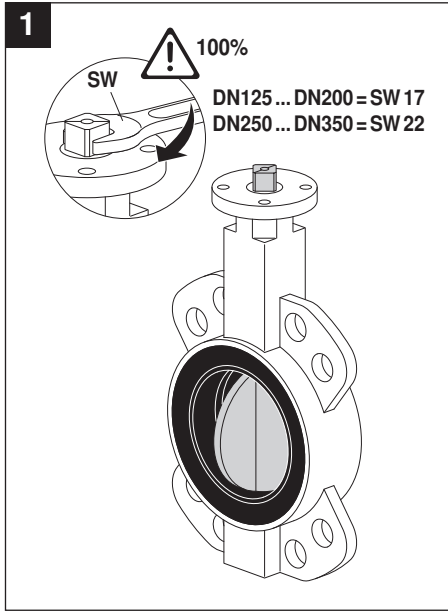
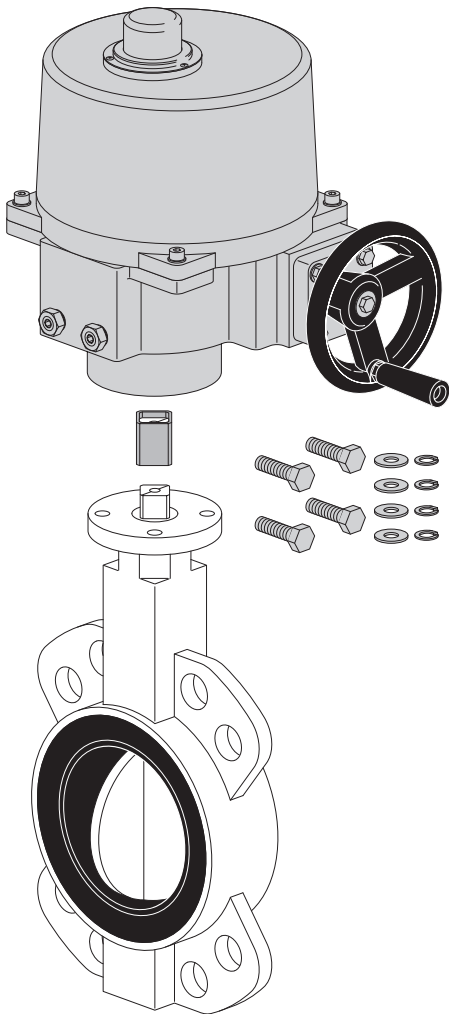
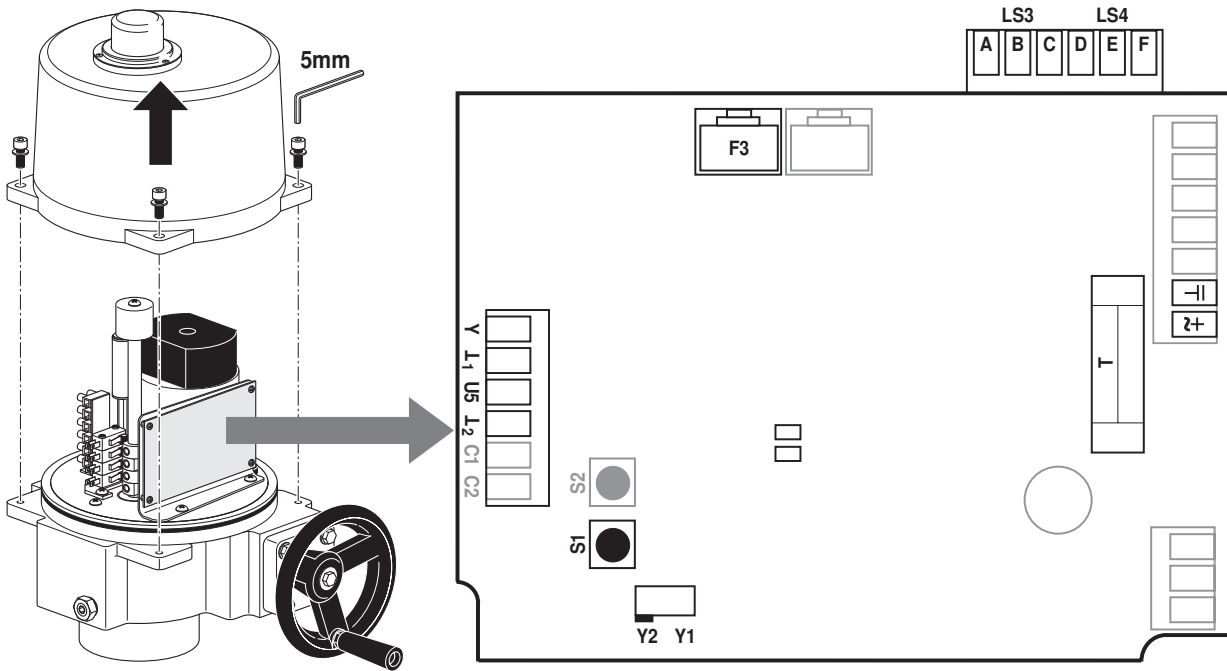


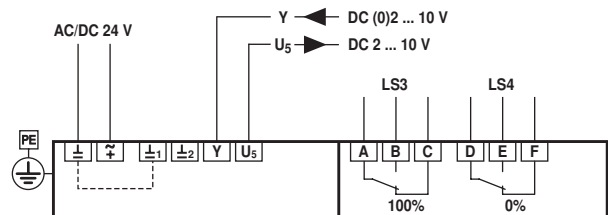
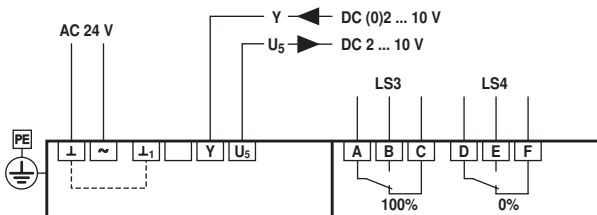
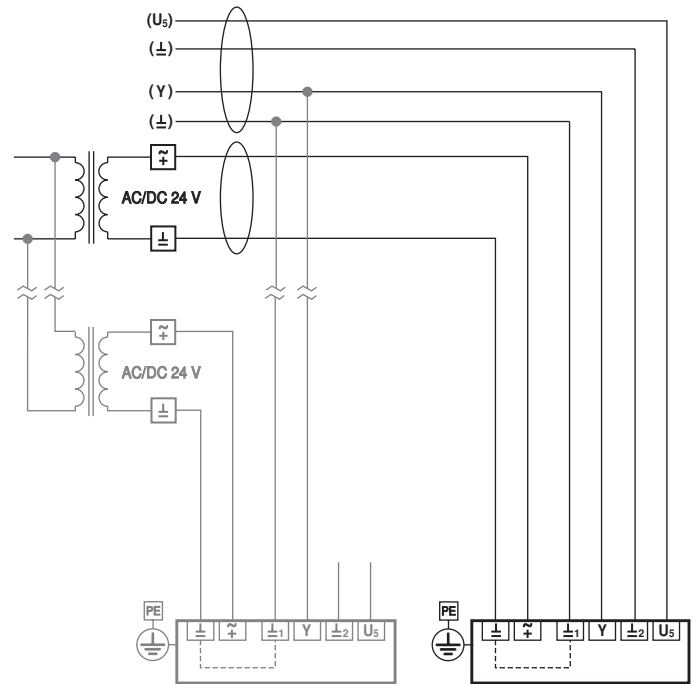
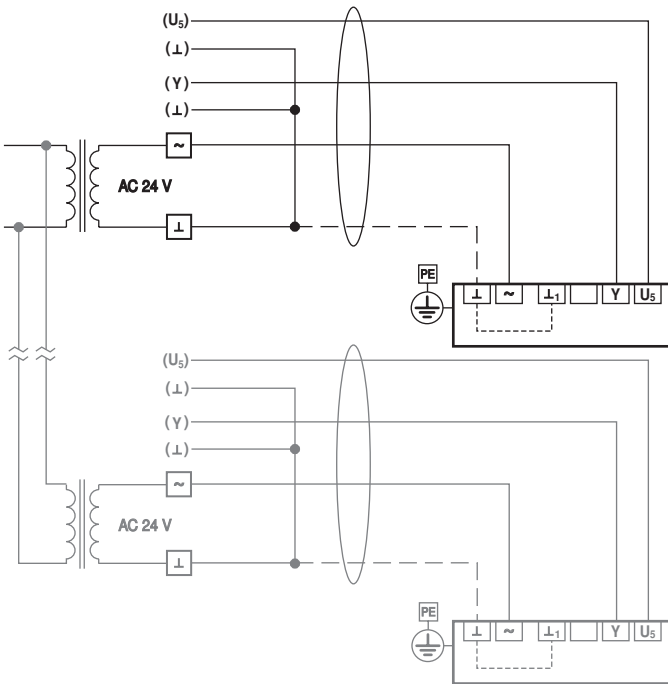
70984-00001.C





SY..-24-SR-T / SY..-24-MF-T

SY..-24-SR-T / SY..-24-MF-T



$\curvearrowright$ Y1	A - AB = 100%
$\curvearrowleft$ Y2	A - AB = 0%

$\curvearrowright$ Y1	A - AB = 100%
$\curvearrowleft$ Y2	A - AB = 0%

