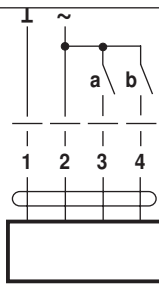
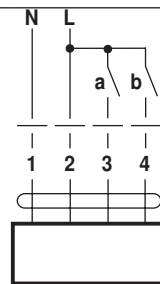


AC 24 V



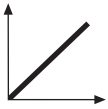
..VK(C)24A-3

AC 230 V

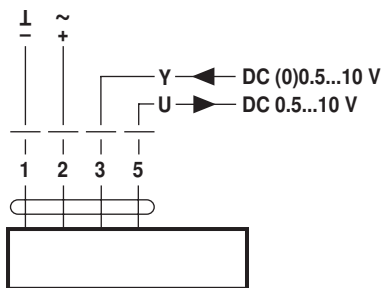


..VK230A-3

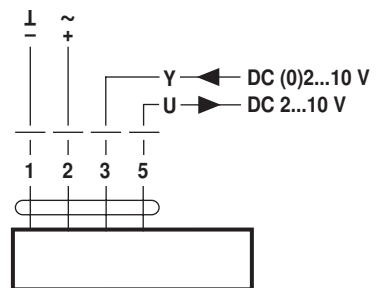
3 a	4 b		
		—	—
		↑	↓
		↓	↑



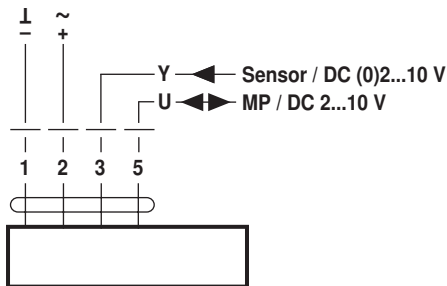
AC 24 V / DC 24 V



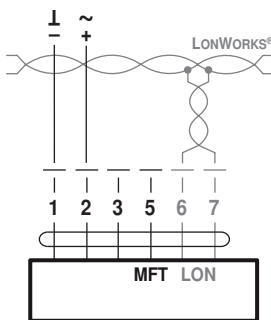
..VK(C)24A-SZ



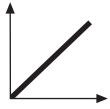
..VK(C)24A-SR / ..VK(C)24A-MF



..VK(C)24A-MP

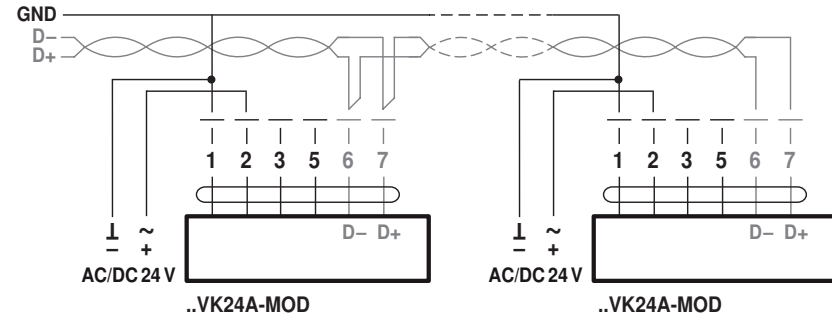


...VK24ALON

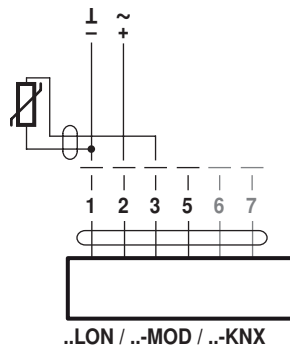
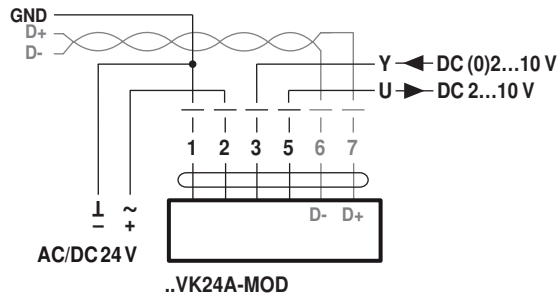


AC 24 V / DC 24 V

BACnet MS/TP / Modbus RTU



BACnet MS/TP / Modbus RTU / analog



Ni1000	-28...+98 °C	850...1600 Ω ²⁾
PT1000	-35...+155 °C	850...1600 Ω ²⁾
NTC	-10...+160 °C ¹⁾	200 Ω...60 kΩ ²⁾

