

- Level converter USB/MP
- Interface between USB and MP-Bus



Content

<u>Technical Data</u>	<u>2</u>
<u>Safety notes</u>	<u>2</u>
<u>Product features</u>	<u>2</u>
<u>Local connection on service socket</u>	<u>4</u>
<u>Local Connection on clamps</u>	<u>4</u>
<u>Connection MP-Bus</u>	<u>5</u>
<u>Connection UK24LON/ UK24EIB</u>	<u>6</u>
<u>Connection UK24MOD/ UK24BAC</u>	<u>7</u>

Technical Data

Ambient temperature	0 ... +50° C, non-condensing
Non-operating temperature	-40 ... +80° C
EMC	CE according to 2004/108/EG
Driver	Current version on Belimo website
Weight	160 g (with USB cable)

Safety notes



Only for connection to PC USB-Ports and Belimo 24V actuators (supplied with SELV or US class 2 voltage) only

Product features

The ZIP-USB-MP is a potential-free interface between the USB port on a PC and the BELIMO MP-Bus. It is used to connect the Belimo PC-Tool either to the MP-Bus or directly to a parameterisable MFT actuator.

Power supply

The ZIP-USB-MP is supplied with voltage by the USB port.

Driver

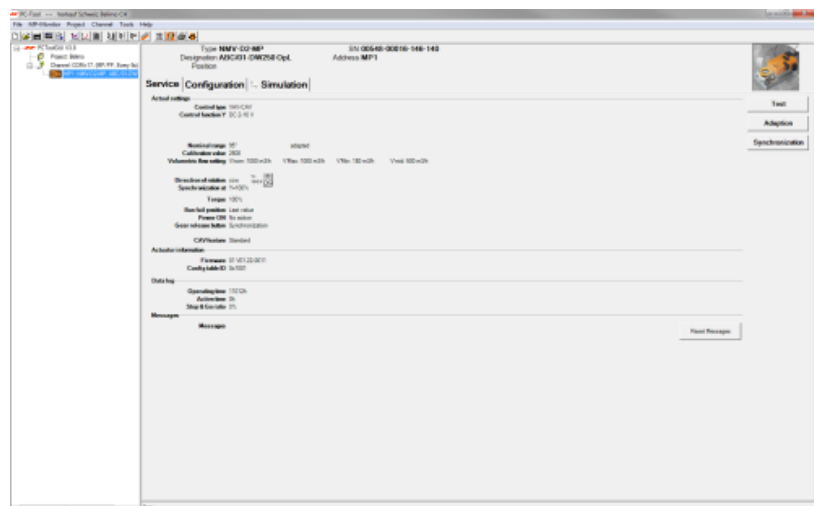
The required driver is installed with the PC-Tool MFT-P.
If the driver has not been installed, this can be downloaded from the Belimo website (Download section).
After installing the driver, the ZIP-USB-MP is shown as a virtual COM port on the PC.

Master mode – Monitor mode

Operating as MP-Master

- To parameterize actuators via the MP-Bus
- To select set points for simulating actuators via the MP-Bus
- To link sensors connected to the MP actuators
- To record graphic trends

In Master mode, an 18V carrier signal for the MP-Bus communication will be given out of the ZIP-USB-MP. At this application no other MP master should be connected to the MP-Bus (Bus collision).



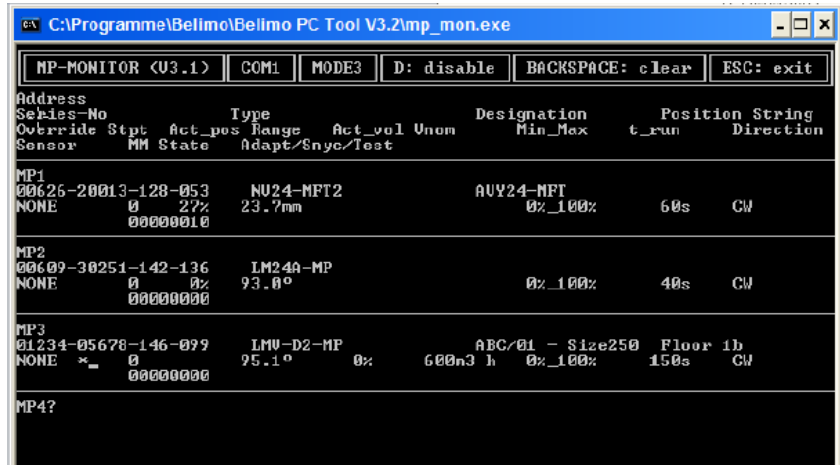
Product features

Master mode – Monitor mode

Operating as MP-Monitor

– To test MP communication with the MP-Monitor Tool (module of PC-Tool V3.x)

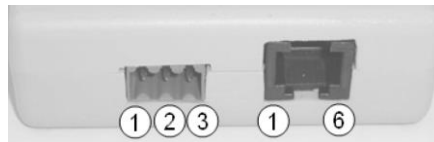
In MP-Monitor mode the carrier signal of the ZIP-USB-MP signal is switched off. The Level converter behaves passively and listen is just listening on the MP-Bus.



Connection

USB The Connection happens via the USB 2.0 interface. USB type B plug, connecting cable (1 m) with A to B plug enclosed

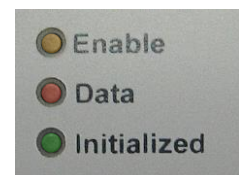
- MP-Bus
- 1 x 3-pol Weidmüller socket
 - 1 x RJ12 socket



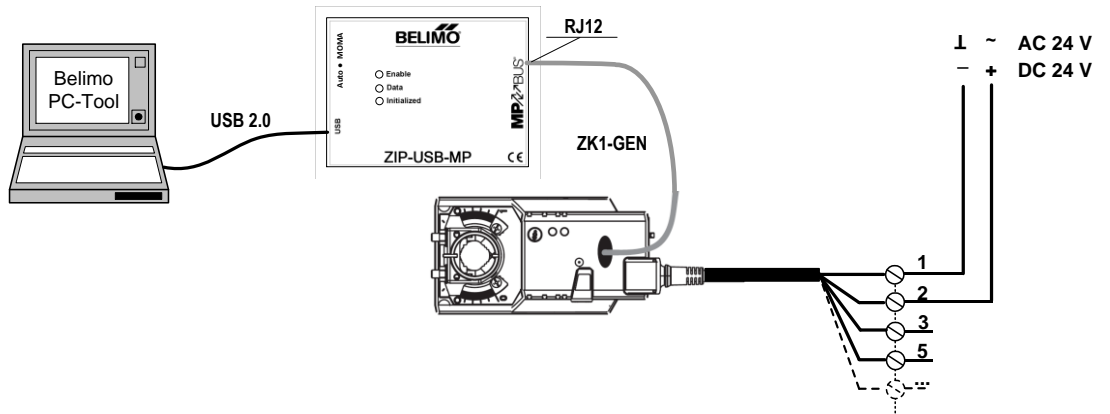
Wiring	Weidmüller 3 Pin	RJ12 Socket
	Pin1: MP-Bus	Pin 1: not connected
	Pin 2: Enable	Pin 2: GND
	Pin 3: Ground	Pin 3: not connected
		Pin 4: MP
		Pin 5: Enable
		Pin 6: not connected

LED display

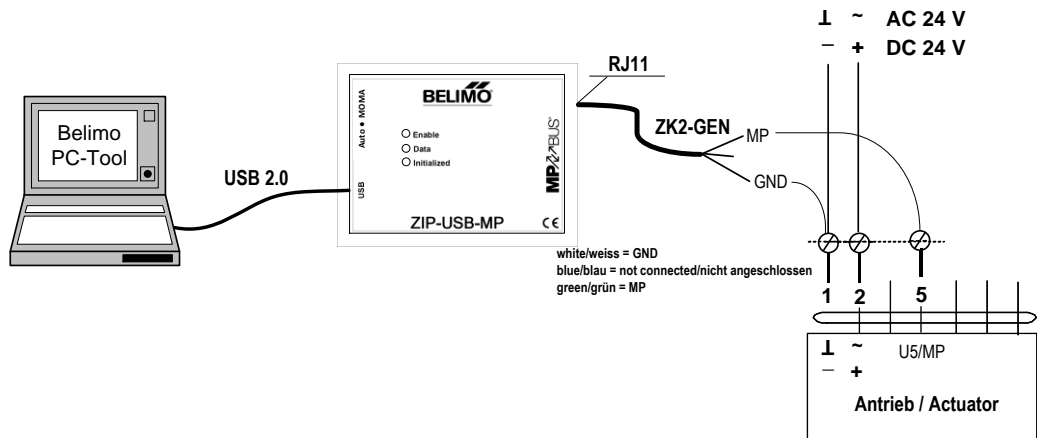
- Enable: USB-ZIP-MP Master mode active
- Data: Flashing at MP-communication
- Initialized: Device is initialized from the PC (Windows)



Local connection on service socket

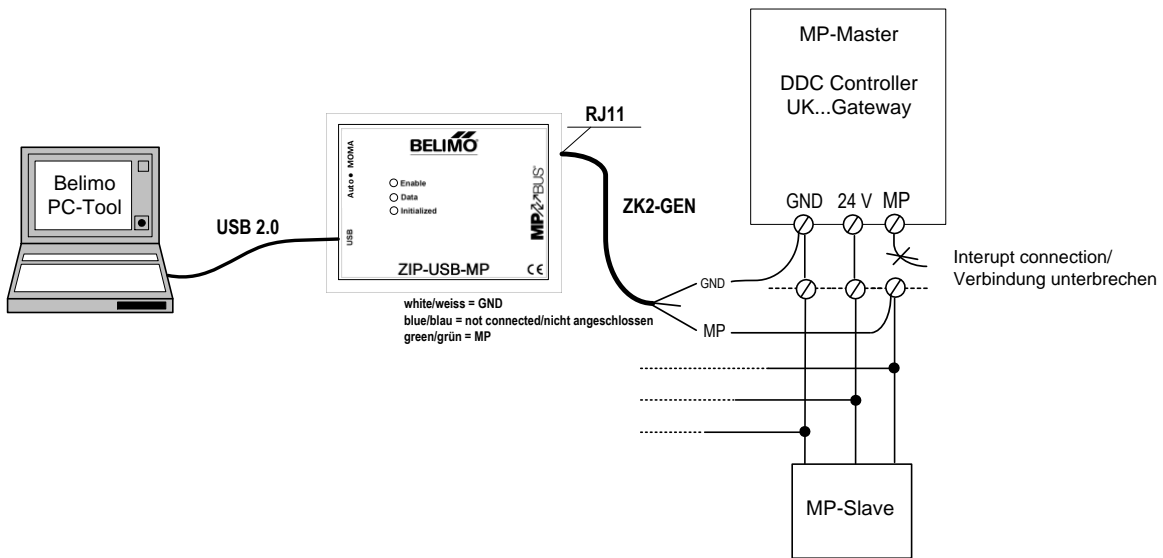


Local Connection on clamps

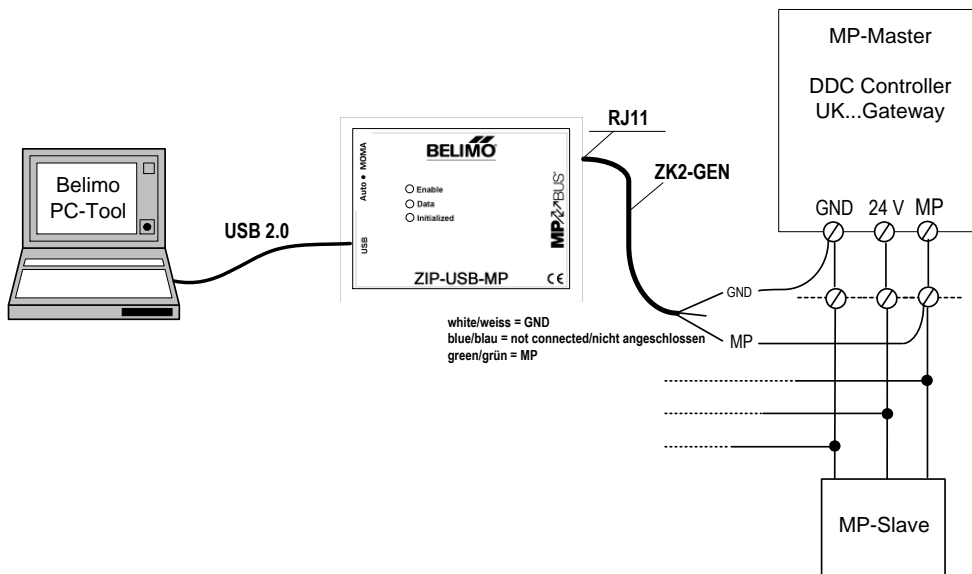


Connection MP-Bus

Master mode



Monitor mode

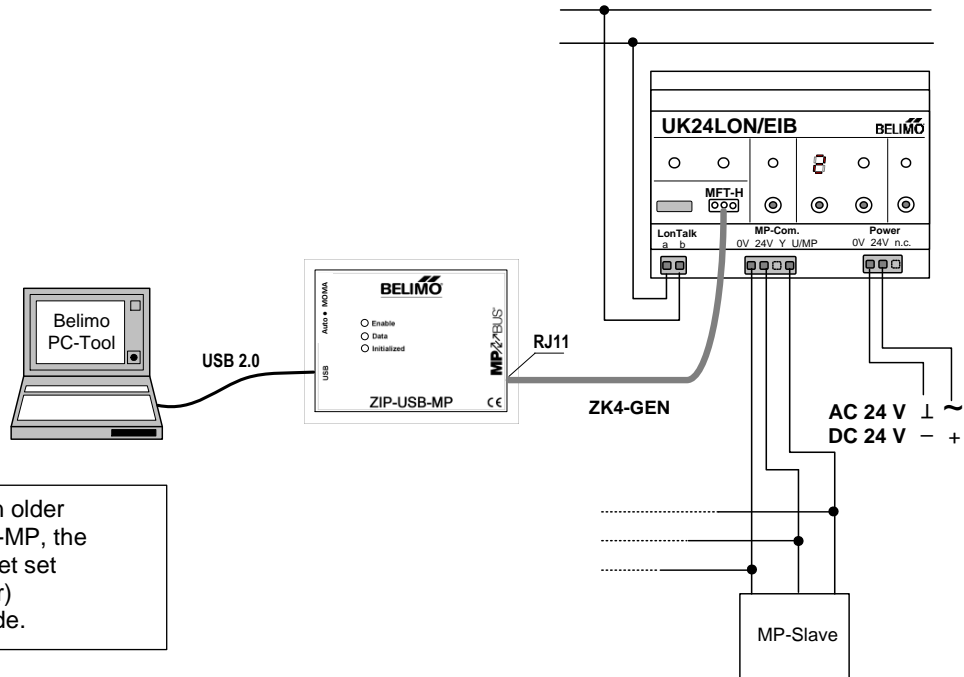


Note: If working with an older version of the ZIP-USB-MP, the MO/MA switch has to get set manually to MA (Master) resp. MO (Monitor) mode.

Connection UK24LON/ UK24EIB

Master /Monitor mode

By connecting the ZIP-USB-MP an enable signal will be sent to the gateway. Thereby the gateway stops working in MP-Master mode.

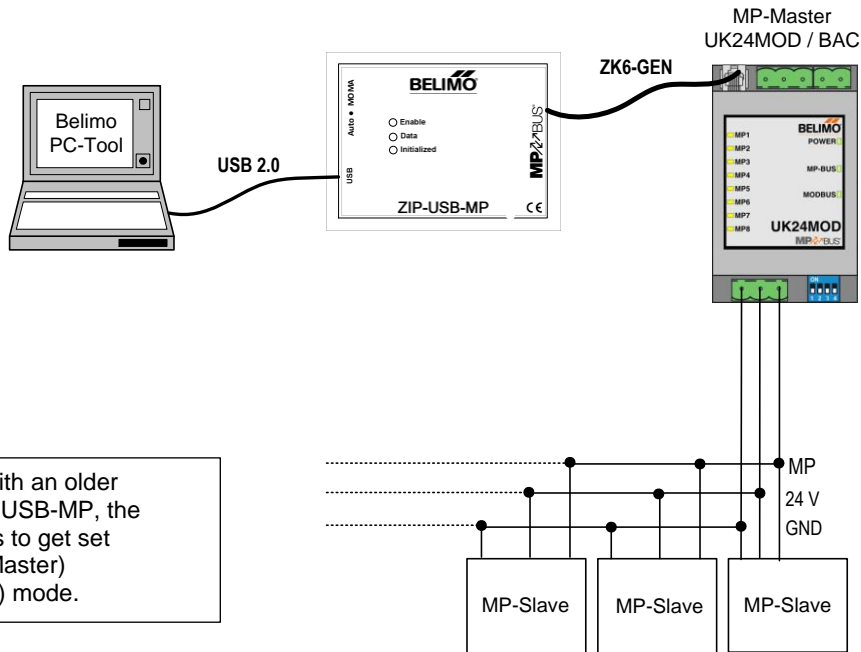


Note: If working with an older version of the ZIP-USB-MP, the MO/MA switch has to get set manually to MA (Master) resp. MO (Monitor) mode.

Connection UK24MOD/ UK24BAC

Master / Monitor mode

By connecting the ZIP-USB-MP an enable signal will be sent to the gateway. Thereby the gateway stops working in MP-Master mode.



Note: If working with an older version of the ZIP-USB-MP, the MO/MA switch has to get set manually to MA (Master) resp. MO (Monitor) mode.

All-inclusive.



5-year warranty



On site around the globe



A complete range of products from one source



Tested quality



Short delivery times



Comprehensive support

Headquarters

BELIMO Holding AG
Brunnenbachstrasse 1
CH-8340 Hinwil
Tel. +41 43 843 61 11
Fax +41 43 843 62 68
info@belimo.ch
www.belimo.com

Subsidiaries, Representatives and Agencies

Albania
Algeria
Argentina
Australia
Austria
Bahrain
Belarus
Belgium
Bosnia
Brazil
Bulgaria

Cameroon
Canada
Central America
Chile
China
Croatia
Cyprus
Czech Republic
Denmark
Egypt
Estonia
Finland
France
Georgia
Germany
Greece
Great Britain
Hong Kong
Hungary
Iceland
India
Indonesia
Ireland
Israel
Italy

Japan
Jordan
Kazakhstan
Korea
Kuwait
Latvia
Lebanon
Libya
Lithuania
Luxembourg
Macedonia
Malaysia
Malta
Mexico
Moldova
Montenegro
Morocco
Netherlands
New Zealand
Norway
Oman
Pakistan
Philippines
Poland
Portugal

Qatar
Romania
Russia
Saudi Arabia
Serbia
Singapore
Slovakia
Slovenia
South Africa
Spain
Sri Lanka
Sweden
Switzerland
Taiwan
Thailand
Tunisia
Turkey
United Arab Emirates
Ukraine
United States of America
Vietnam

Belimo worldwide: www.belimo.com

BELIMO[®]