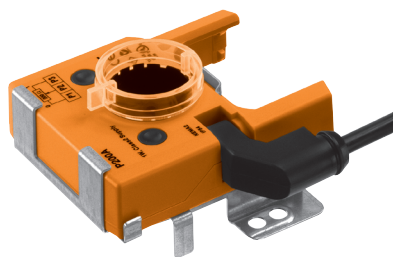


Feedback potentiometer unit, suitable on the spring return actuators NF..A., SF..A.. and LF..

- Resistance 200 Ω
- including adapter



Technical data

| | | | |
|----------------------------|---------------------|-------------------------------------|---|
| Functional data | Resistance | 200 Ω | |
| | Tolerance | $\pm 5\%$ | |
| | Loading capacity | 1 W | |
| | Linearity | $\pm 2\%$ | |
| | Resolution | min. 1% | |
| | Residual resistance | max. 5% on both sides | |
| | Connection | Cable 1 m, 3 x 0.75 mm ² | |
| | Safety | Protection class | III Safety extra-low voltage |
| | | Degree of protection | IP54 |
| | | Certification | Certified to IEC/EN 60730-1 and IEC/EN 60730-2-14 |
| Mode of operation | | Type 1 | |
| Control pollution degree | | 3 | |
| Ambient temperature | | -30 ... +50 °C | |
| Non-operating temperature | | -40 ... +80 °C | |
| Ambient humidity | | 95% r.h., non-condensating | |
| Maintenance | Maintenance-free | | |
| Dimensions / weight | Dimensions | See «Dimensions» on page 2 | |
| | Weight | Approx. 140 g | |

Safety notes



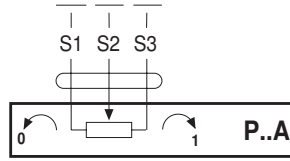
- The device is not allowed to be used outside the specified field of application, especially in aircraft or in any other airborne means of transport.
- It may only be installed by suitably trained personnel. Any legal regulations or regulations issued by authorities must be observed during assembly.
- The device may only be opened at the manufacturer's site. It does not contain any parts that can be replaced or repaired by the user.
- The cable must not be removed from the device.
- The device contains electrical and electronic components and is not allowed to be disposed of as household refuse. All locally valid regulations and requirements must be observed.

Product features

| | |
|--------------------------|--|
| Application | The feedback potentiometer unit is used for modulating damper control in connection with controllers with fixed feedback. The feedback potentiometers can also be used in conjunction with commercially available systems for damper position indication or as positioners for parallel running actuators. |
| Mode of operation | A carrier plate uses adaption to make a positive fit on the spring-return actuator and transfers the rotary movement directly to the feedback potentiometer. |
| Installation | The feedback potentiometer unit is connected directly by means of adaption with the hollow shaft (LF., NF..A., SF..A..) of the actuator. Once it is mounted, the unit is screwed to the actuator. |

Electrical installation

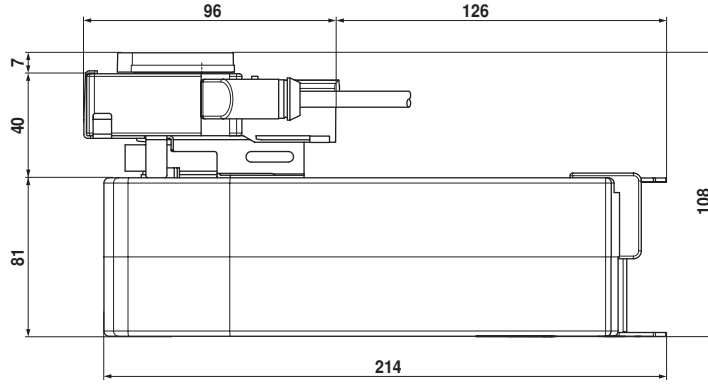
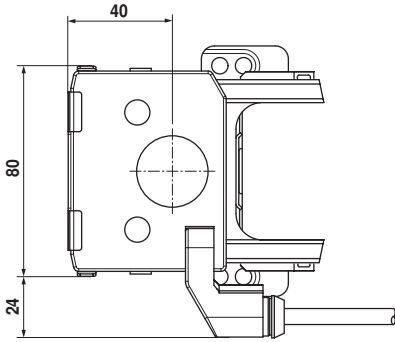
Wiring diagram



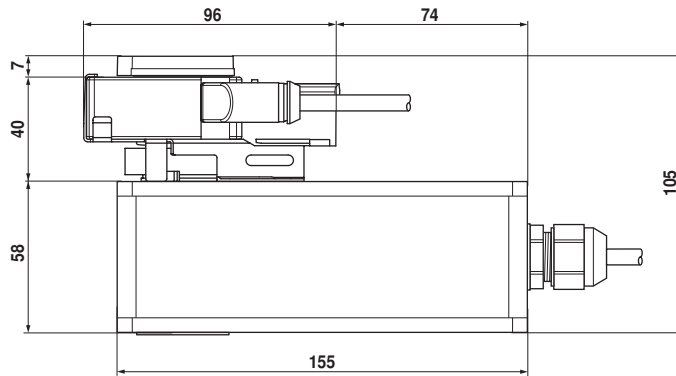
Dimensions [mm]

Dimensional drawings

with NF..A.. / SF..A..

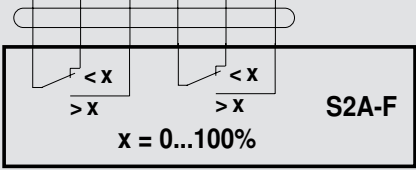


with LF..



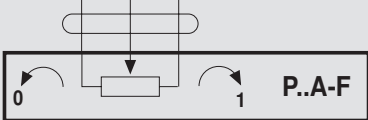
S2A-F

S1 S2 S3 S4 S5 S6

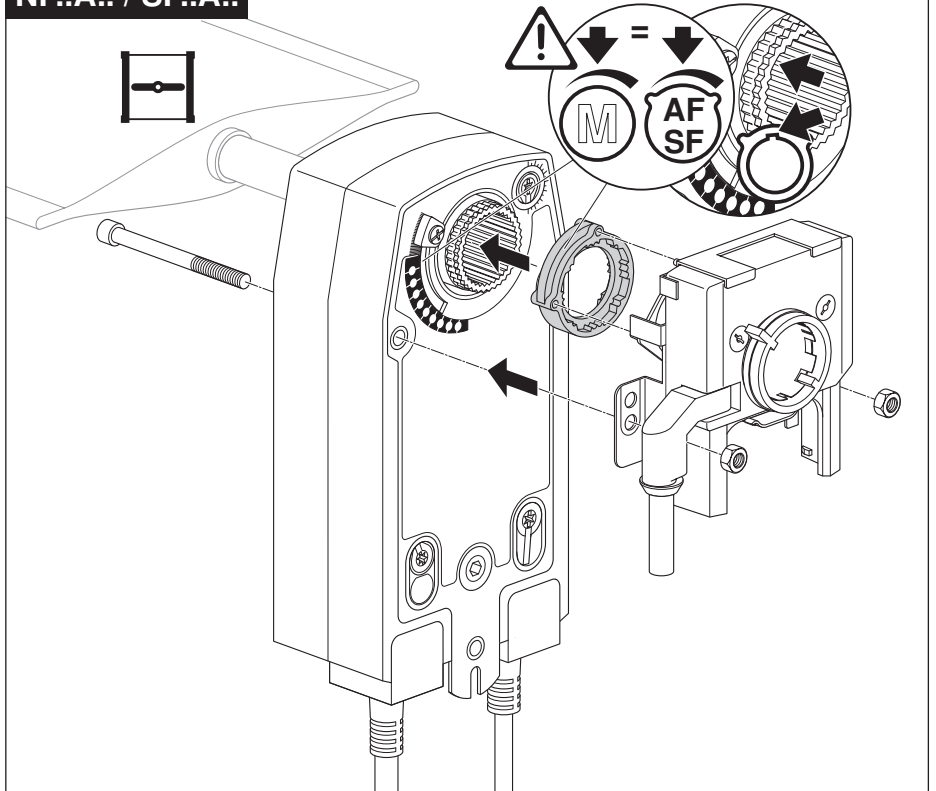


P..A-F

S1 S2 S3



NF..A.. / SF..A..



LF..

