

**Butterfly valve with Wafer types**

- For open and closed cold and warm water systems
- For switching heat generators or cooling machines on and off


**Type overview**

Type	DN [ ]	PN [ ]	kvmax [ m <sup>3</sup> /h]
D6200W	200	6 / 10 / 16	2900
D6250W	250	6 / 10 / 16	4400
D6300W	300	6 / 10 / 16	7300

**Technical data**

<b>Functional data</b>	Media	Cold and warm water, water with glycol up to max. 50% vol.
	Medium temperature	-20...120 °C
	Permissible pressure ps	1600 kPa
	Leakage rate	Leakage rate A, tight (EN 12266-1)
	Pipe connector	Flange PN 6/10/16 (according to ISO 7005-2)
	Angle of rotation	90°
	Installation position	Upright to horizontal (in relation to the stem)
	Suitable connection flange	In accordance with ISO 7005-1 and EN 1092-1 In accordance with ISO 7005-2 and EN 1092-2 In accordance with DIN 2641 and DIN 2642
<b>Maintenance</b>		Maintenance-free
<b>Materials</b>	Housing	EN-GJS400-15 (GGG 40), polyester-powder coating
	Closing element	1.4308 (stainless steel)
	Stem	1.4021 (stainless steel)
	Stem seal	O-ring EPDM
	Stem bearing	Bronze, steel, PTFE
	Seat	EPDM

**Safety notes**


- The valve has been designed for use in stationary heating, ventilation and air-conditioning systems and must not be used outside the specified field of application, especially in aircraft or in any other airborne means of transport.
- Only authorised specialists may carry out installation. All applicable legal or institutional installation regulations must be complied during installation.
- The valve does not contain any parts that can be replaced or repaired by the user.
- The valve may not be disposed of as household refuse. All locally valid regulations and requirements must be observed.
- When determining the flow rate characteristic of controlled devices, the recognised directives must be observed.
- The damper must be opened and closed slowly in order to avoid hydraulic shocks in the pipe system.
- The valve is not allowed to be operated without actuator or worm gear while flow is in the pipe. Without actuator or worm gear, the valve could close and cause damage (water hammer).

## Product features

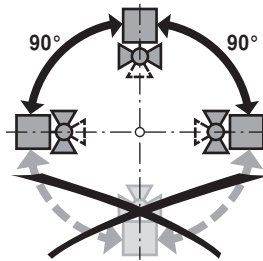
- Mode of operation** The butterfly valve is opened or closed completely by an open-close rotary actuator. Continuous rotary actuators are connected by a commercially available controller and move the valve to any position desired. The valve disk made of stainless steel is pressed into the soft-sealing EPDM seat by a rotary movement and ensures leakage rate A (tight). The pressure losses are slight in the open position and the kv value is at a maximum.
- Manual override** Manual throttling or shut-off can be carried out with a worm gear (see «Accessories»). The worm gear with position indication is steplessly adjustable (self-locking).

## Accessories

	Description	Type
Mechanical accessories	Worm gear for butterfly valves DN125...300	ZD6N-S150

## Installation notes

- Recommended installation positions** The butterfly valves may be mounted upright to horizontal. The butterfly valves may not be installed in a hanging position i.e. with the spindle pointing downwards.

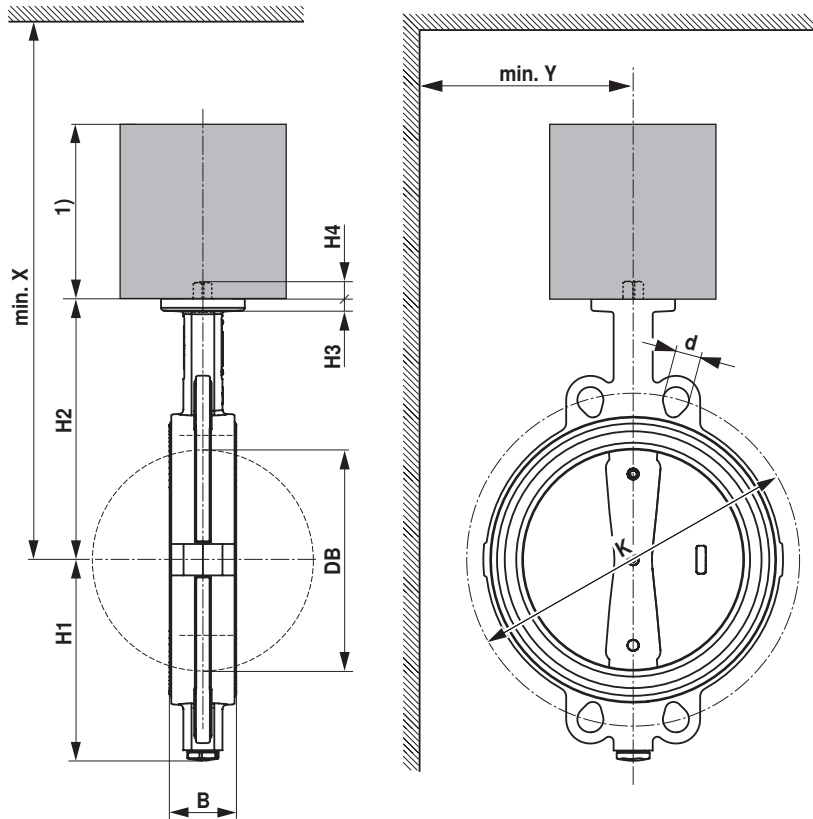


- Water quality requirements** The water quality requirements specified in VDI 2035 must be adhered to.

- Maintenance** Butterfly valves and rotary actuators are maintenance-free. Before any service work on the final controlling device is carried out, it is essential to isolate the rotary actuator from the power supply (by unplugging the electrical cable if necessary). Any pumps in the part of the piping system concerned must also be switched off and the appropriate slide valves closed (allow all components to cool down first if necessary and always reduce the system pressure to ambient pressure level). The system must not be returned to service until the butterfly valve and the rotary actuator have been reassembled correctly in accordance with the instructions and the pipeline has been refilled by professionally trained personnel. To avoid a torque increase during off season shut down, exercise the butterfly valve (full open and close) at least once a month.

## Dimensions / Weight

Dimensional drawings



The actuator dimensions can be found on the respective actuator data sheet.

Type	DN [ ]	B [ mm]	DB [ mm]	H1 [ mm]	H2 [ mm]	H3 [ mm]	H4 [ mm]	d (PN6) [ mm]	K (PN6) [ mm]
D6200W	200	60	202	172	240	15	19	8 x M16	280
D6250W	250	68	250	206	268	15	24	12 x M16	335
D6300W	300	78	301	244	316	15	24	12 x M20	395

Type	d (PN10) [ mm]	K (PN10) [ mm]	d (PN16) [ mm]	K (PN16) [ mm]	X [ mm]	Y [ mm]	Weight [ kg]
D6200W	8 x M20	295	12 x M20	295	500	300	13
D6250W	12 x M20	350	12 x M24	355	530	300	21
D6300W	12 x M20	400	12 x M24	410	580	300	32

## Further documentation

- Overview Valve-actuator combinations
- Data sheets for actuators
- Installation instructions for actuators and/or butterfly valves
- General notes for project planning